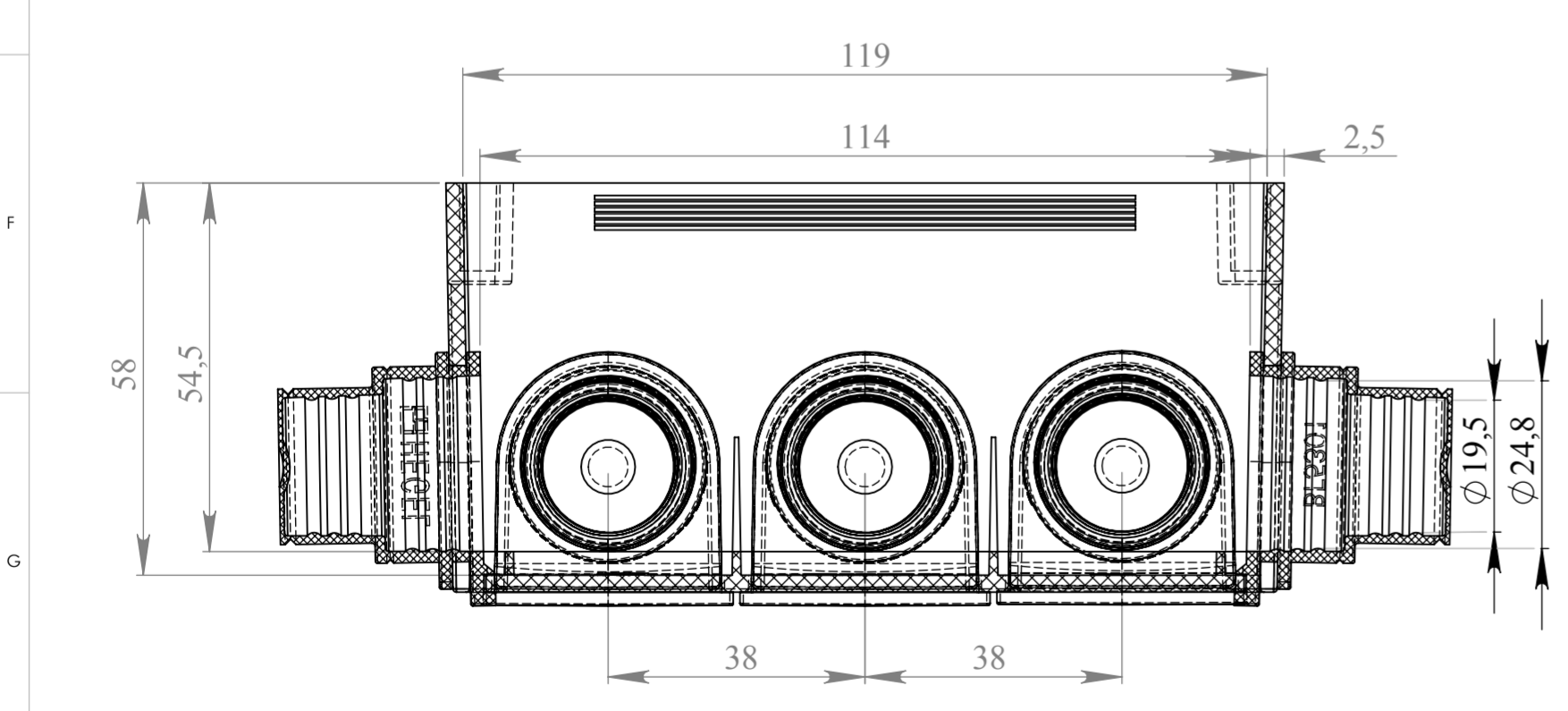


СЕЧЕНИЕ А-А



UNLESS OTHERWISE SPECIFIED: DIMENSIONS ARE IN MILLIMETERS				FINISH:		DEBUR AND BREAK SHARP EDGES		DO NOT SCALE DRAWING		REVISION	
SURFACE FINISH:											
TOLERANCES:											
LINEAR:											
ANGULAR:											
DRAWN:		NAME		SIGNATURE		DATE				TITLE:	
CHK'D:											
APP'V'D:											
MFG:											
Q.A:								MATERIAL:		DWG. NO. KP1301	
								WEIGHT:		SCALE:1:1	
										SHEET 1 OF 1	