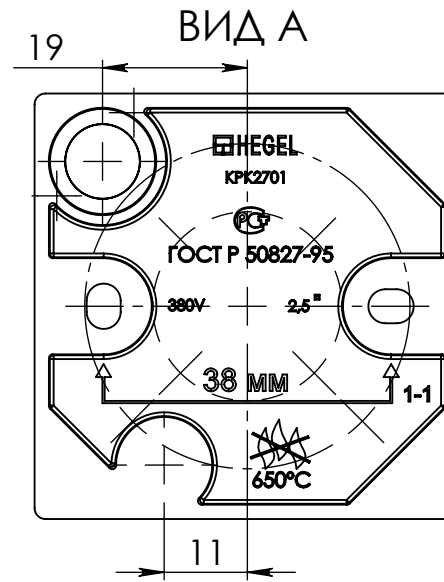
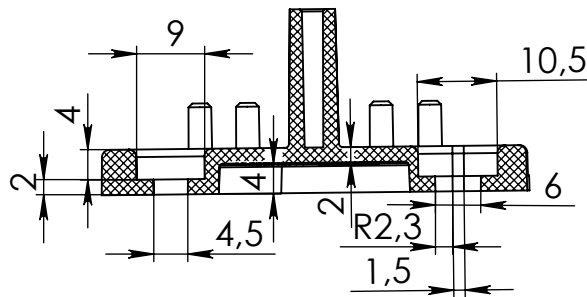
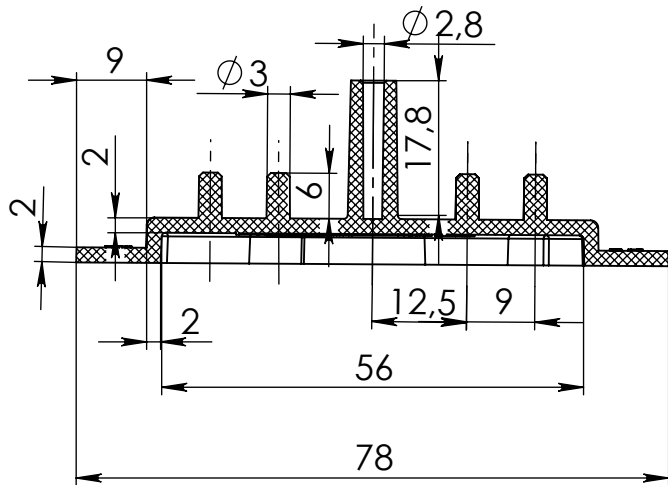


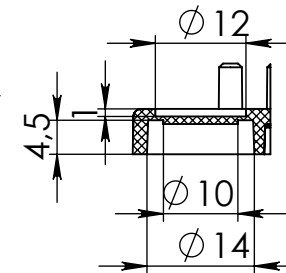
СЕЧЕНИЕ C-C



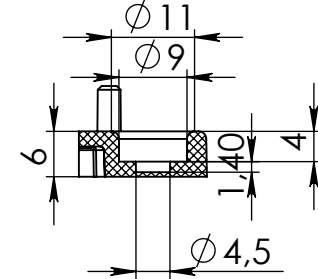
СЕЧЕНИЕ B-B



СЕЧЕНИЕ D-D



СЕЧЕНИЕ E-E



UNLESS OTHERWISE SPECIFIED:
DIMENSIONS ARE IN MILLIMETERS
SURFACE FINISH:
TOLERANCES:
LINEAR:
ANGULAR:

FINISH:

DEBUR AND
BREAK SHARP
EDGES

DO NOT SCALE DRAWING

REVISION

	NAME	SIGNATURE	DATE	
DRAWN				
CHK'D				
APPV'D				
MFG				
Q.A				
				MATERIAL:
				WEIGHT:

TITLE:	DWG NO.	SCALE:	SHEET
	KPK2701	1:1	1 OF 1
			A4