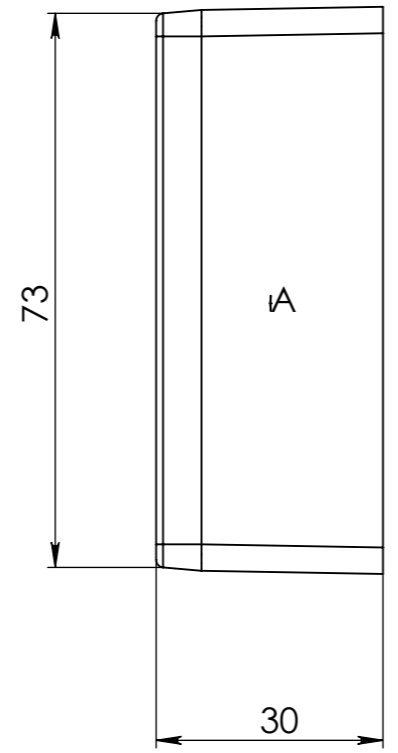
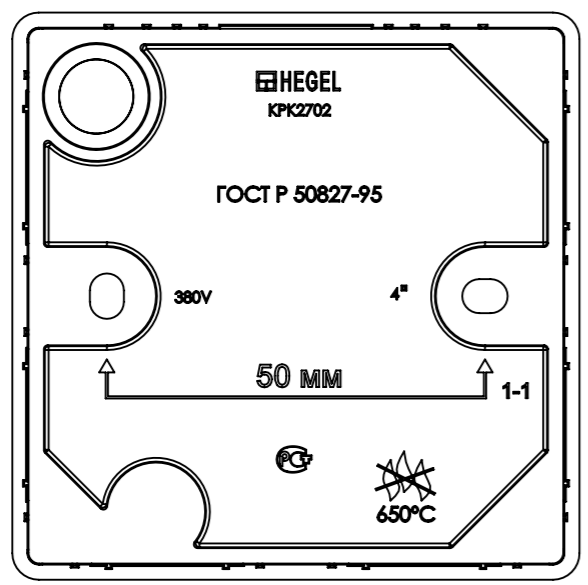
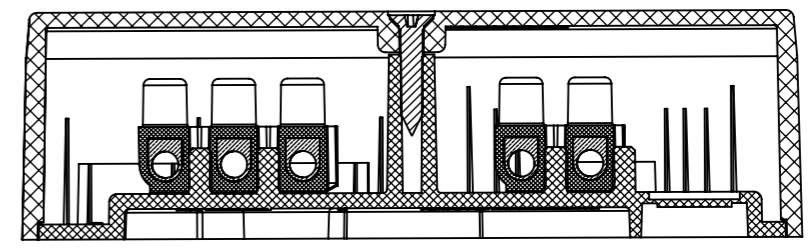


ВИД А
МАСШТАБ 1 : 1



СЕЧЕНИЕ В-В
МАСШТАБ 1 : 1



| | | | | | | | | | |
|--|--|---------|-----------|-----------------------------------|-----------|----------------------|--------------|----------|------------------|
| UNLESS OTHERWISE SPECIFIED: DIMENSIONS ARE IN MILLIMETERS | | FINISH: | | DEBUR AND BREAK SHARP EDGES | | DO NOT SCALE DRAWING | | REVISION | |
| SURFACE FINISH: | | | | | | | | | |
| TOLERANCES: | | | | | | | | | |
| LINEAR: | | | | | | | | | |
| ANGULAR: | | | | | | | | | |
| DRAWN | | NAME | SIGNATURE | DATE | | | TITLE: | | |
| CHK'D | | | | | | | | | |
| APPV'D | | | | | | | | | |
| MFG | | | | | | | | | |
| Q.A | | | | | MATERIAL: | | DWG NO. | | KPK2702СБ |
| | | | | | WEIGHT: | | SCALE:1:2 | | A3 |
| | | | | | | | SHEET 1 OF 1 | | |