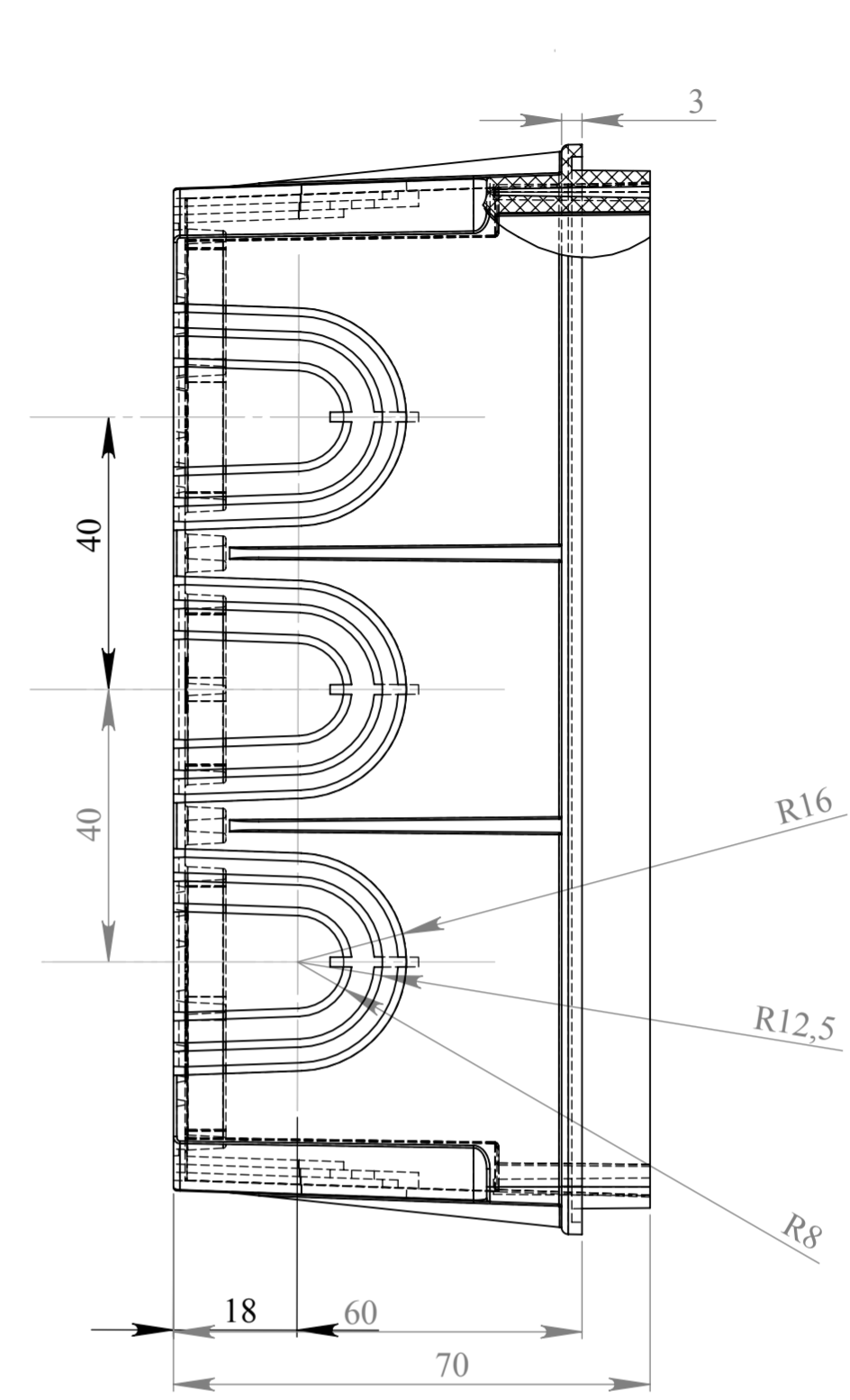
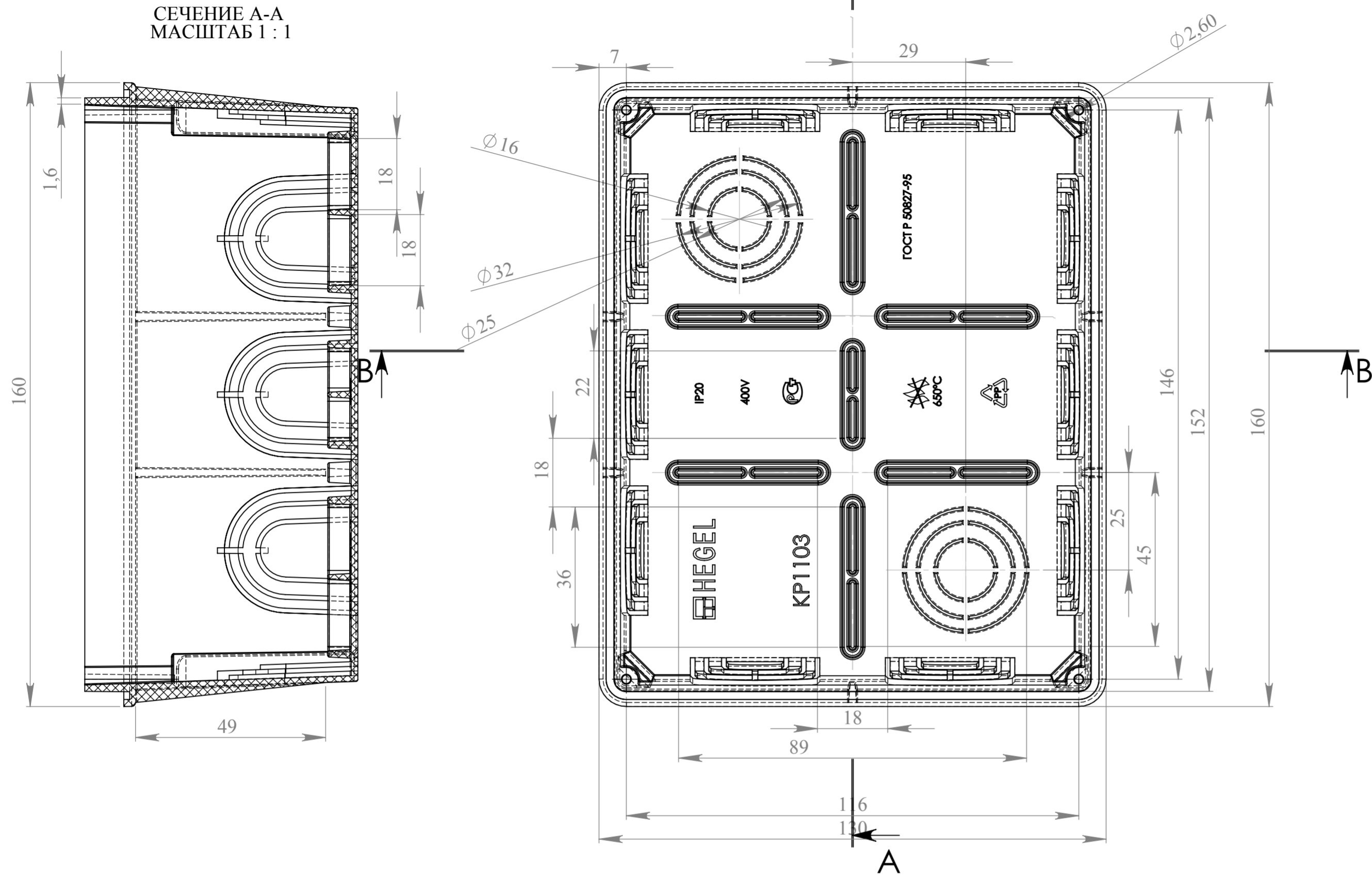
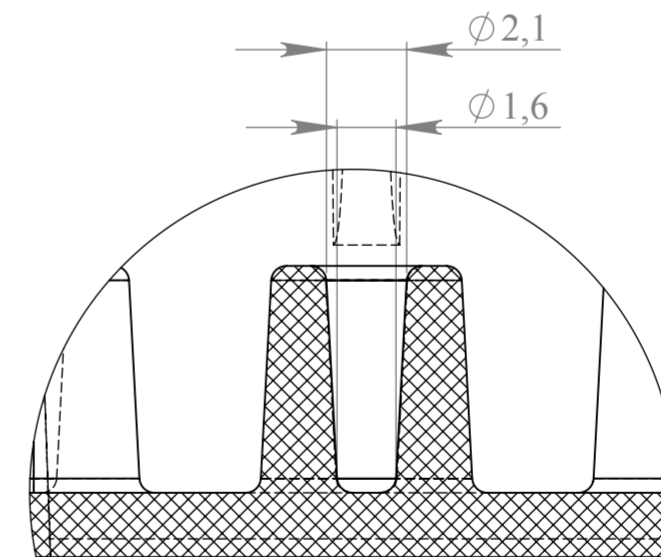


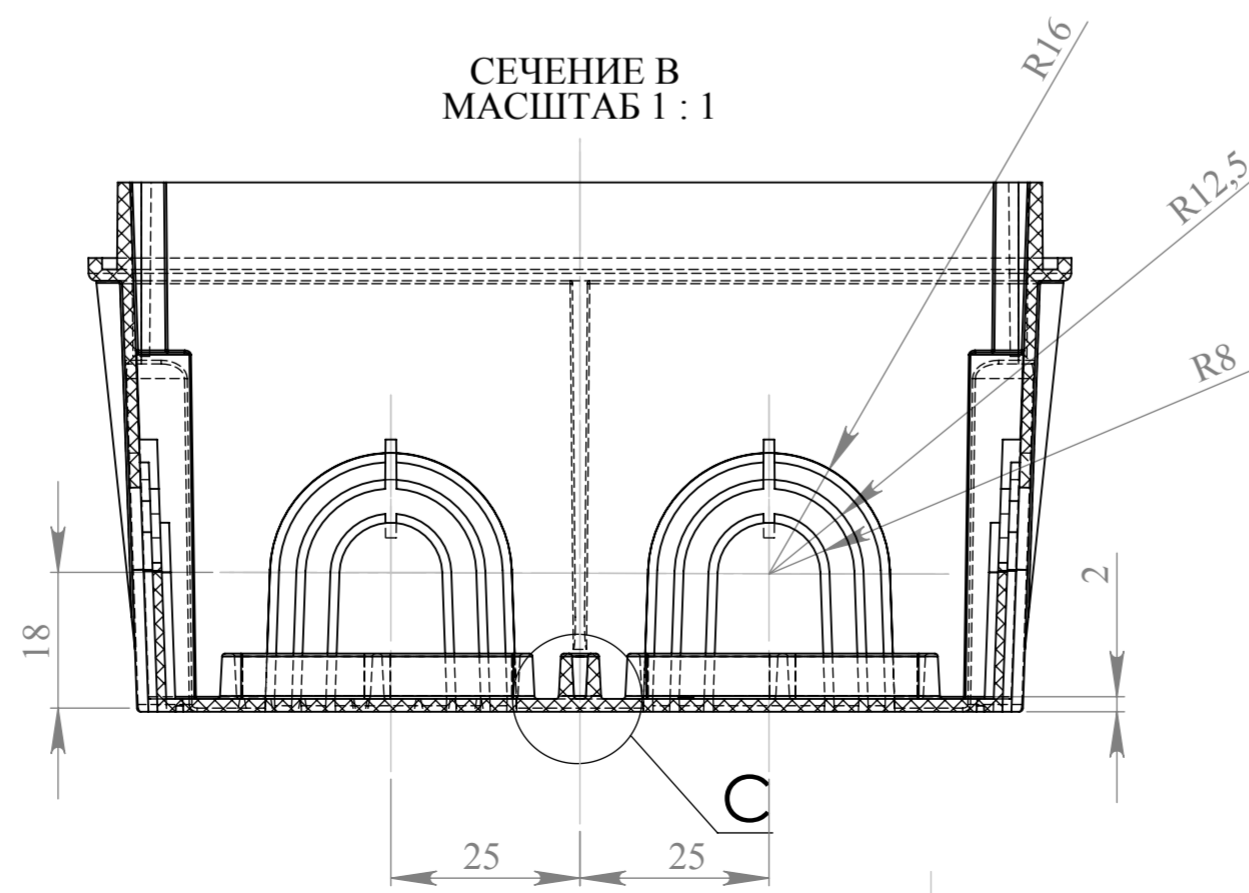
СЕЧЕНИЕ А-А
МАСШТАБ 1 : 1



МЕСТН
МАСШТАБ 5 : 1



СЕЧЕНИЕ В
МАСШТАБ 1 : 1



UNLESS OTHERWISE SPECIFIED: DIMENSIONS ARE IN MILLIMETERS			FINISH:		DEBUR AND BREAK SHARP EDGES		DO NOT SCALE DRAWING		REVISION	
SURFACE FINISH:										
TOLERANCES:										
LINEAR:										
ANGULAR:										
DRAWN:		NAME	SIGNATURE	DATE			TITLE:			
CHK'D:										
APP'VD:										
MFG:										
Q.A.					MATERIAL:		DWG NO.		A2	
					WEIGHT:		SCALE:1:2		SHEET 1 OF 1	

KP1103