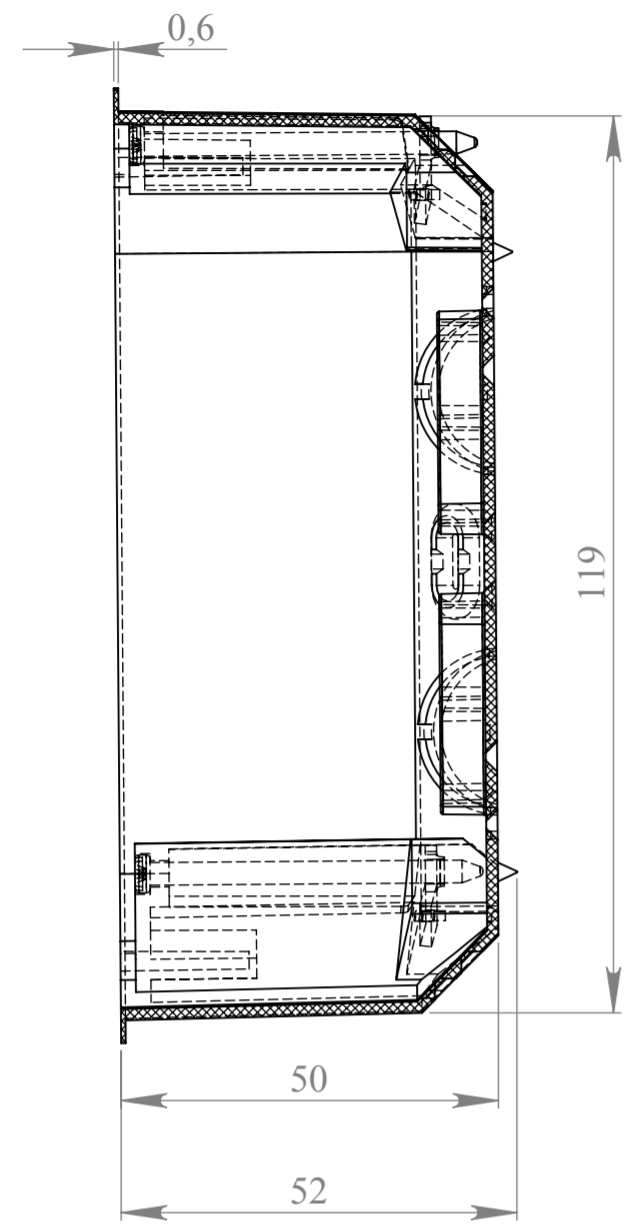
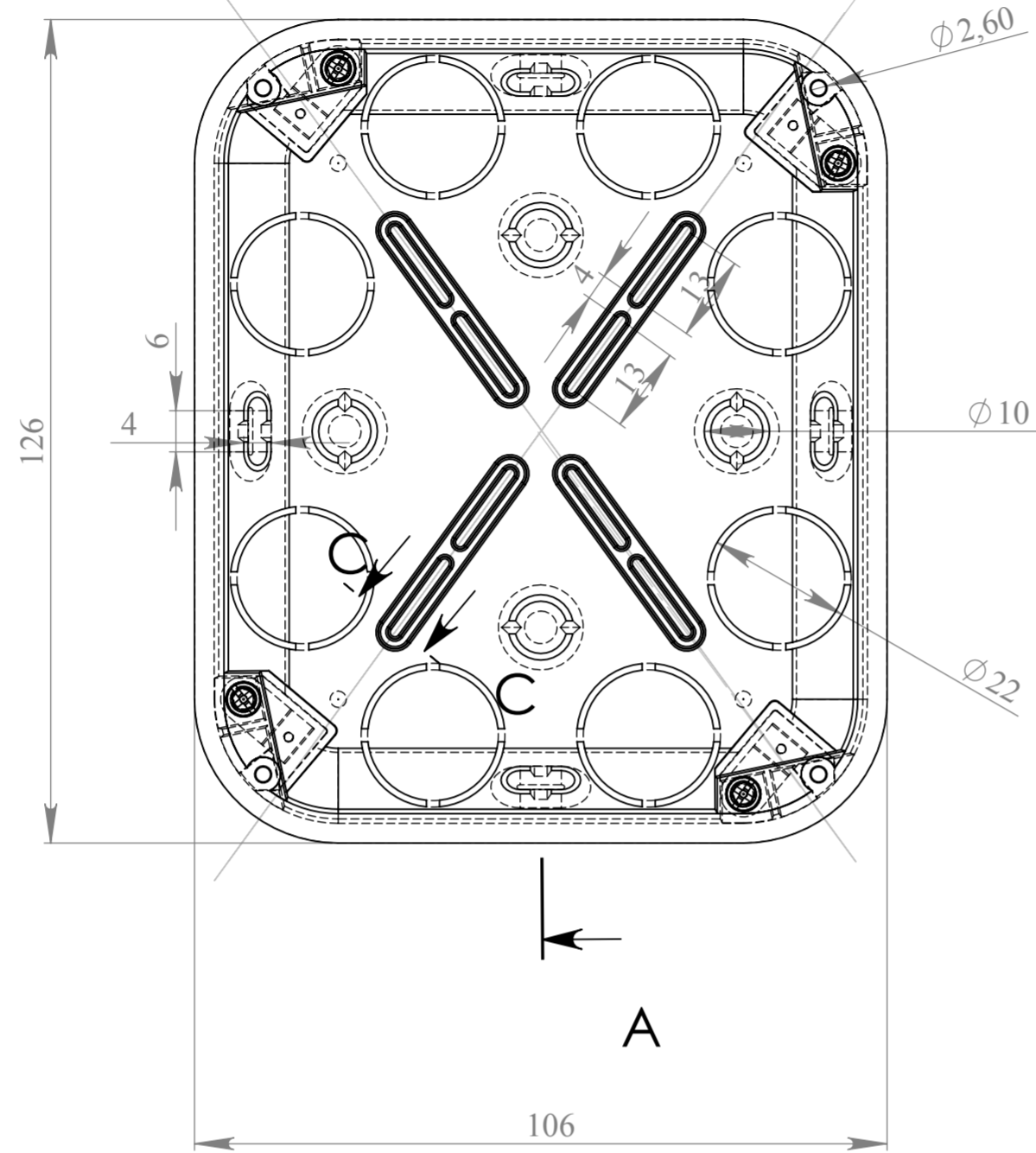


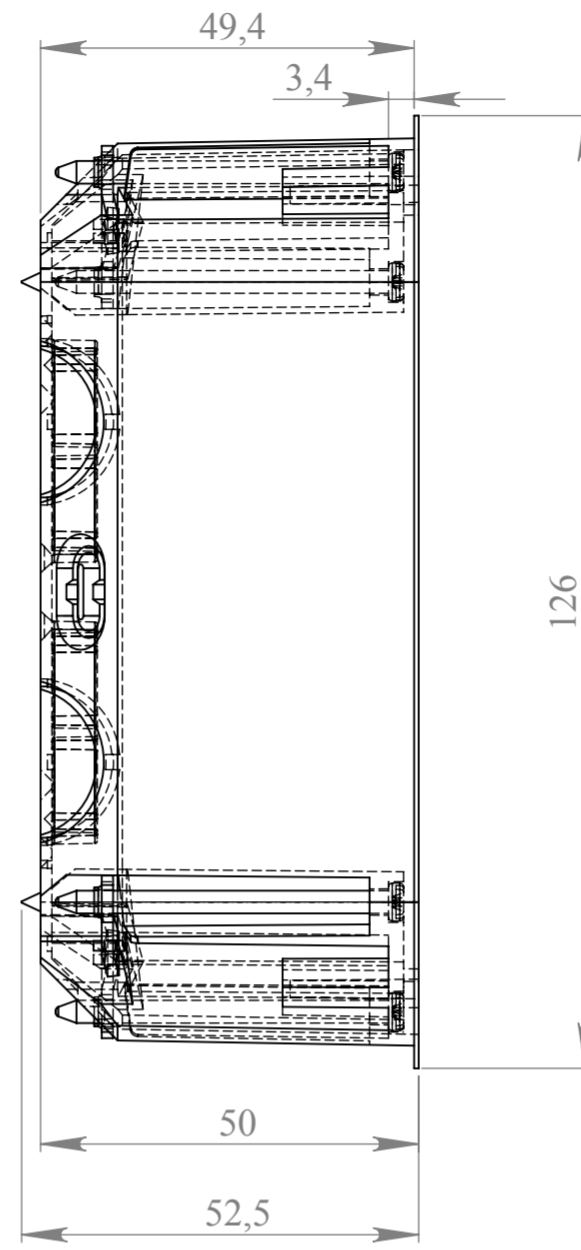
СЕЧЕНИЕ А-А



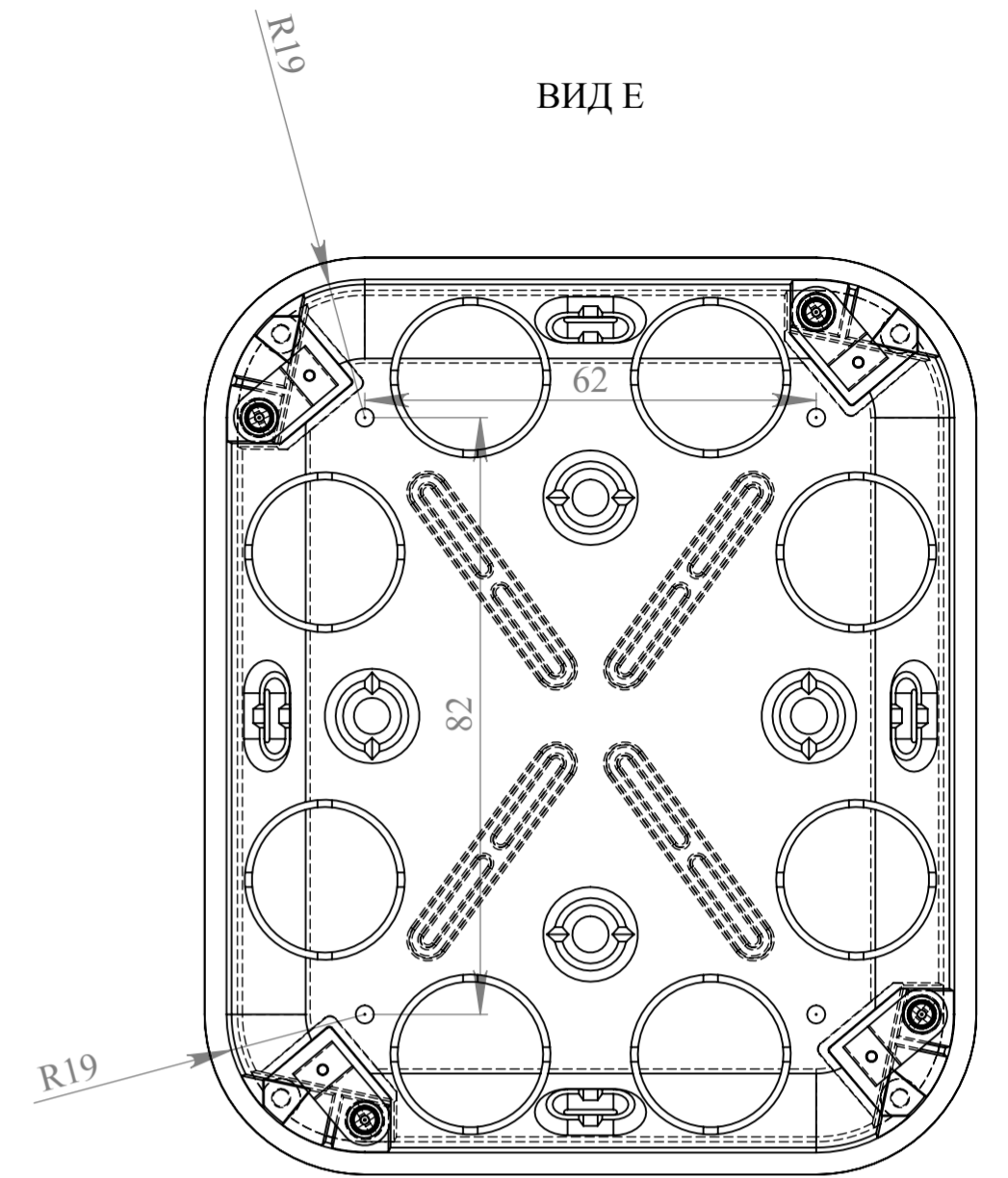
A



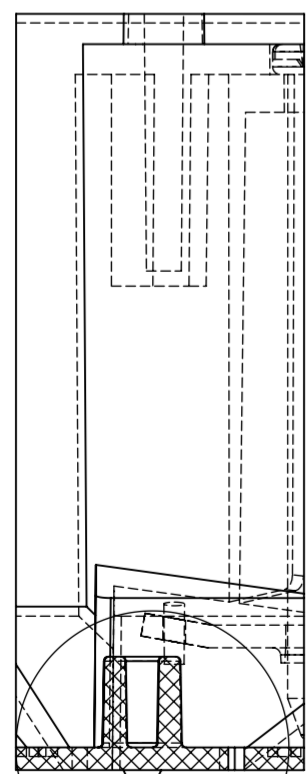
E



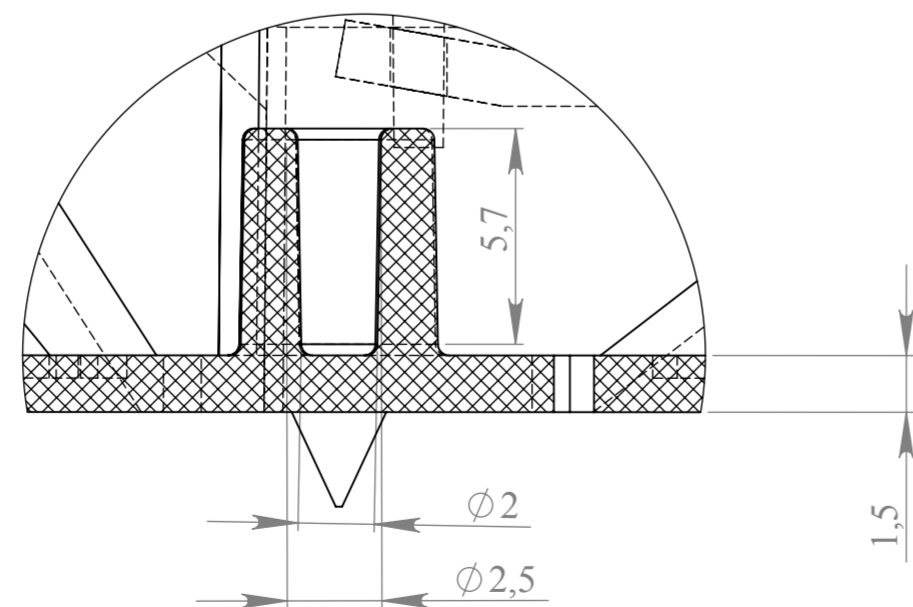
ВИД E



СЕЧЕНИЕ С-С
МАСШТАБ 2 : 1



МЕСТНЫЙ
МАСШТАБ 5 : 1



D

UNLESS OTHERWISE SPECIFIED: DIMENSIONS ARE IN MILLIMETERS SURFACE FINISH: TOLERANCES: LINEAR: ANGULAR:				FINISH:	DEBUR AND BREAK SHARP EDGES	DO NOT SCALE DRAWING	REVISION
DRAWN:	NAME	SIGNATURE	DATE			TITLE:	
CHK'D:							
APP'VD:							
MFG:							
Q.A.					MATERIAL:	DWG NO.	KP1203
						SCALE:1:1	A2
					WEIGHT:	SHEET 1 OF 1	