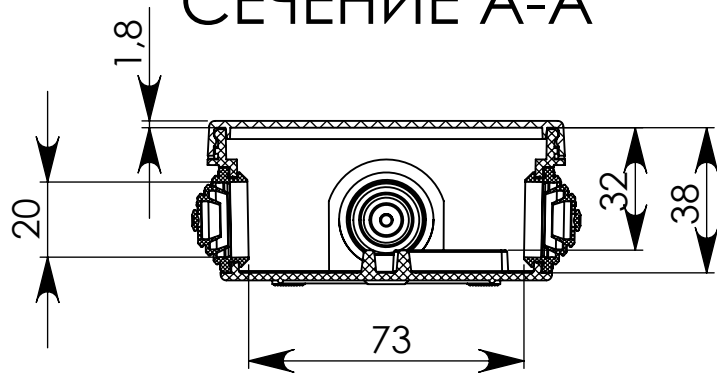


СЕЧЕНИЕ А-А



PROPRIETARY AND CONFIDENTIAL
 THE INFORMATION CONTAINED IN THIS DRAWING IS THE SOLE PROPERTY OF <INSERT COMPANY NAME HERE>. ANY REPRODUCTION IN PART OR AS A WHOLE WITHOUT THE WRITTEN PERMISSION OF <INSERT COMPANY NAME HERE> IS PROHIBITED.

		DIMENSIONS ARE IN INCHES TOLERANCES: FRACTIONAL ± ANGULAR: MACH ± BEND ± TWO PLACE DECIMAL ± THREE PLACE DECIMAL ±	NAME	DATE	KR2602SB
		MATERIAL	DRAWN		
		FINISH	CHECKED		
NEXT ASSY	USED ON		ENG APPR.		
			MFG APPR.		
APPLICATION	DO NOT SCALE DRAWING		Q.A.		SIZE A
			COMMENTS:		DWG. NO.
					SCALE:1:2
					WEIGHT:
					SHEET 1 OF 1