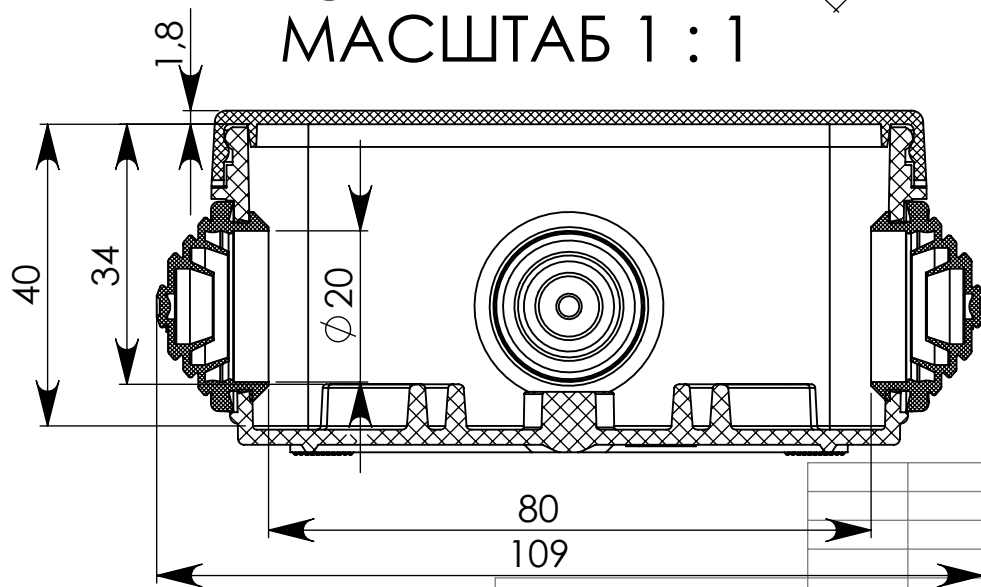


СЕЧЕНИЕ А-А  
МАСШТАБ 1 : 1



**PROPRIETARY AND CONFIDENTIAL**  
THE INFORMATION CONTAINED IN THIS DRAWING IS THE SOLE PROPERTY OF <INSERT COMPANY NAME HERE>. ANY REPRODUCTION IN PART OR AS A WHOLE WITHOUT THE WRITTEN PERMISSION OF <INSERT COMPANY NAME HERE> IS PROHIBITED.

		DIMENSIONS ARE IN INCHES TOLERANCES: FRACTIONAL ± ANGULAR: MACH ± BEND ± TWO PLACE DECIMAL ± THREE PLACE DECIMAL ±		NAME	DATE
		MATERIAL --		DRAWN	
		FINISH --		CHECKED	
NEXT ASSY	USED ON			ENG APPR.	
APPLICATION		DO NOT SCALE DRAWING		MFG APPR.	
				Q.A.	
				COMMENTS:	
				<b>KP2603CB</b>	
SIZE	DWG. NO.	REV.			
<b>A</b>					
SCALE:1:5	WEIGHT:			SHEET 1 OF 1	