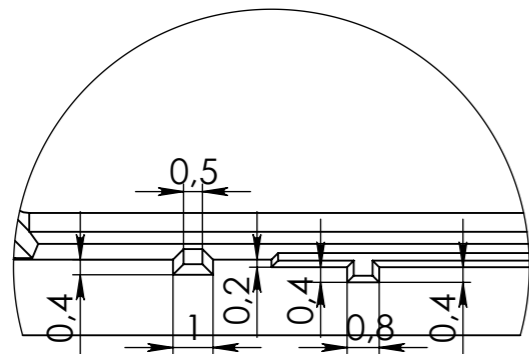
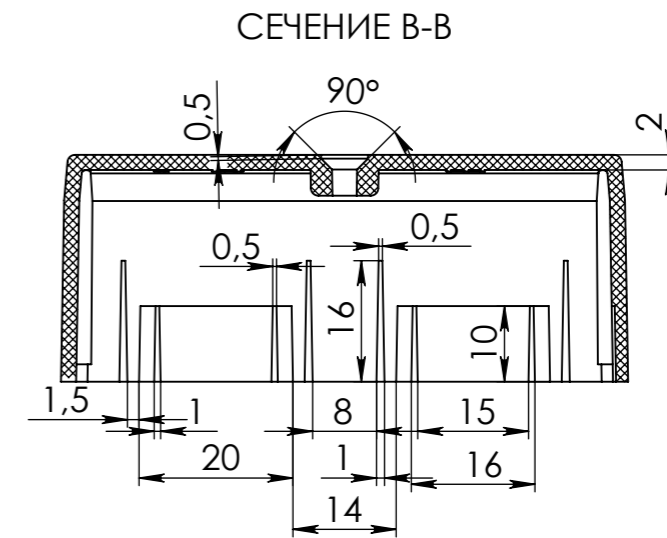
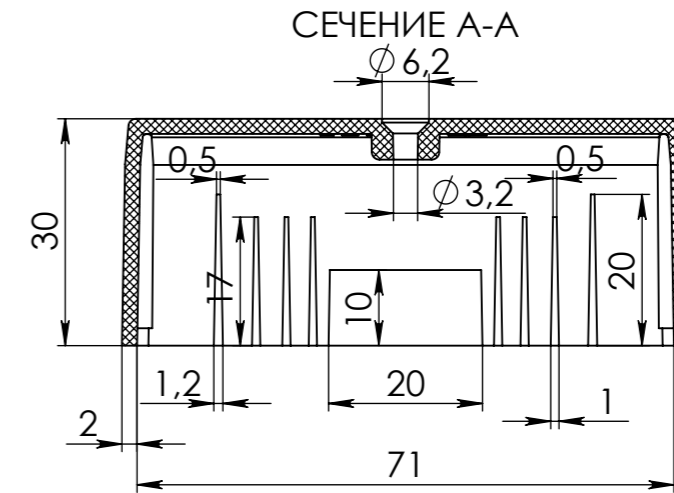
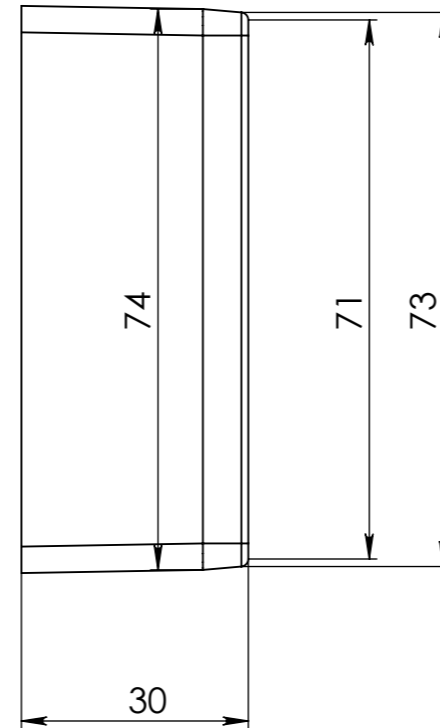
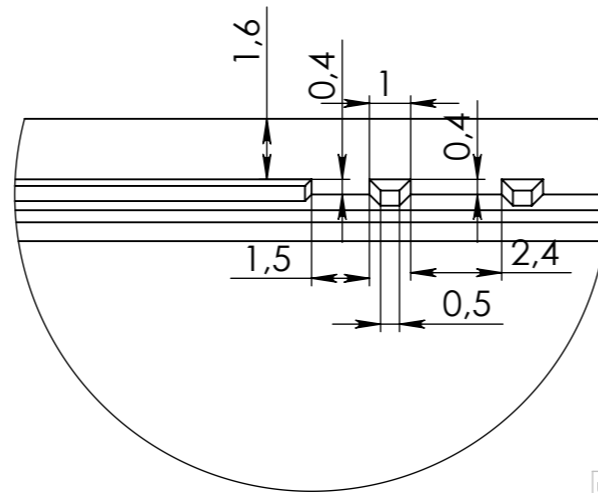


МЕСТНЫЙ D
МАСШТАБ 5 : 1



МЕСТНЫЙ
МАСШТАБ 5 : 1



UNLESS OTHERWISE SPECIFIED: DIMENSIONS ARE IN MILLIMETERS SURFACE FINISH: TOLERANCES: LINEAR: ANGULAR:				FINISH:	DEBUR AND BREAK SHARP EDGES	DO NOT SCALE DRAWING	REVISION
DRAWN	NAME	SIGNATURE	DATE			TITLE:	
CHK'D							
APPV'D							
MFG							
Q.A					MATERIAL:	DWG NO. Крышка KPK2702 A3	
					WEIGHT:	SCALE:1:1	SHEET 1 OF 1