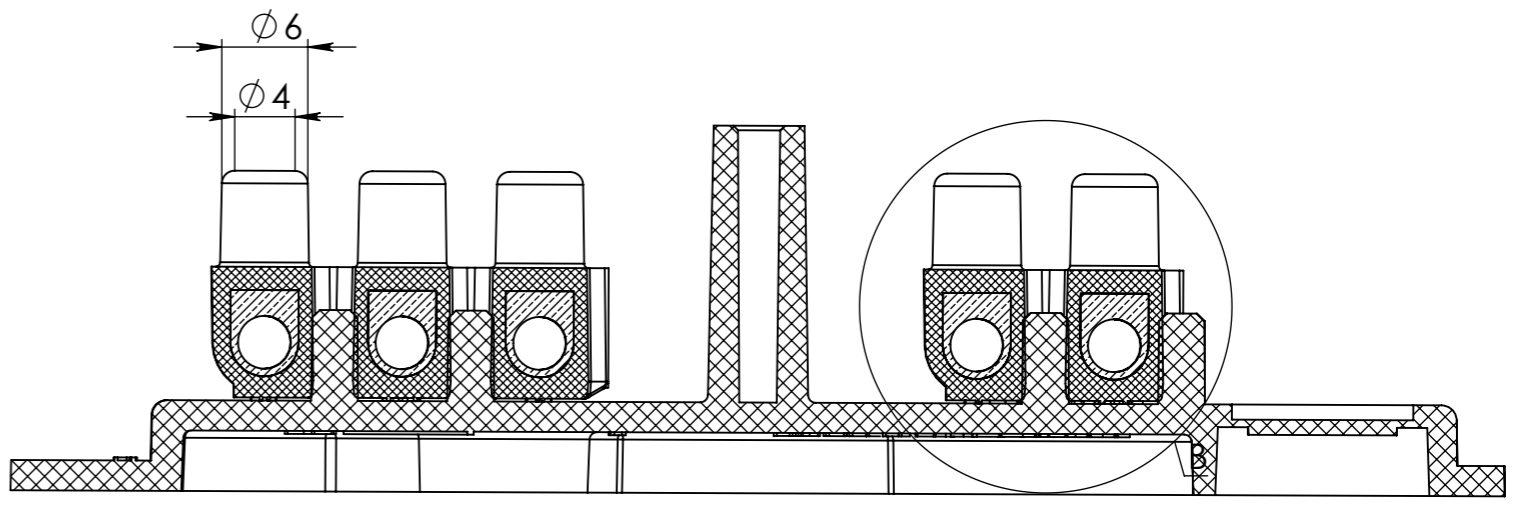
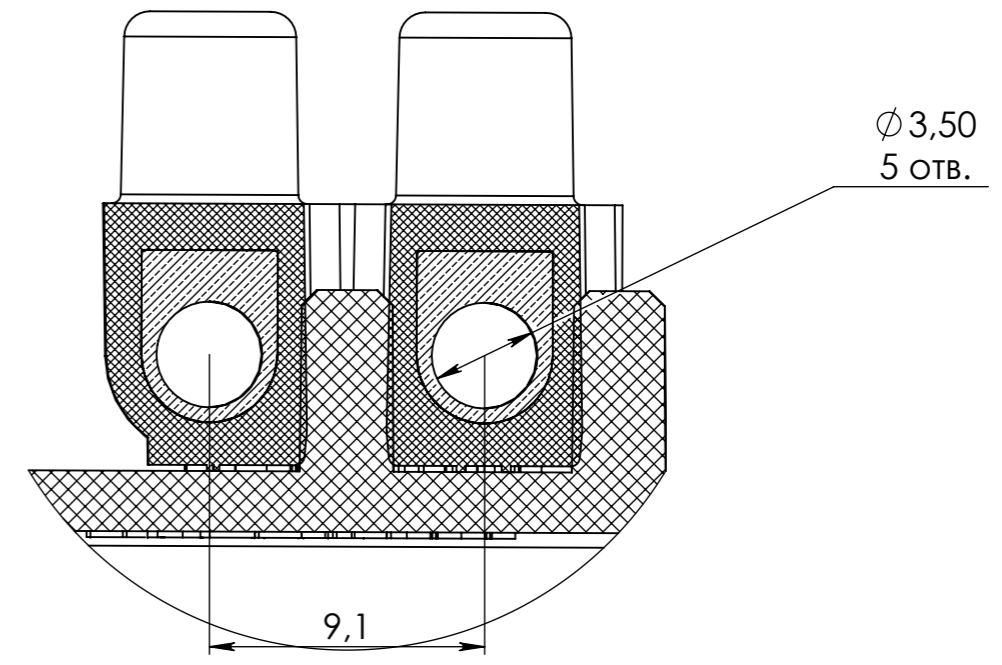


СЕЧЕНИЕ А-А  
МАСШТАБ 2 : 1



МЕСТНЫЙ В  
МАСШТАБ 4 : 1



UNLESS OTHERWISE SPECIFIED: DIMENSIONS ARE IN MILLIMETERS SURFACE FINISH: TOLERANCES: LINEAR: ANGULAR:			FINISH:		DEBUR AND BREAK SHARP EDGES		DO NOT SCALE DRAWING		REVISION		
DRAWN			NAME		SIGNATURE		DATE		TITLE:		
CHK'D											
APPV'D											
MFG											
Q.A							MATERIAL:		DWG NO:		
									<b>KPK2702_с_клем</b>		
							WEIGHT:		SCALE:1:2		
									SHEET 1 OF 1		

**KPK2702\_с\_клем** A3