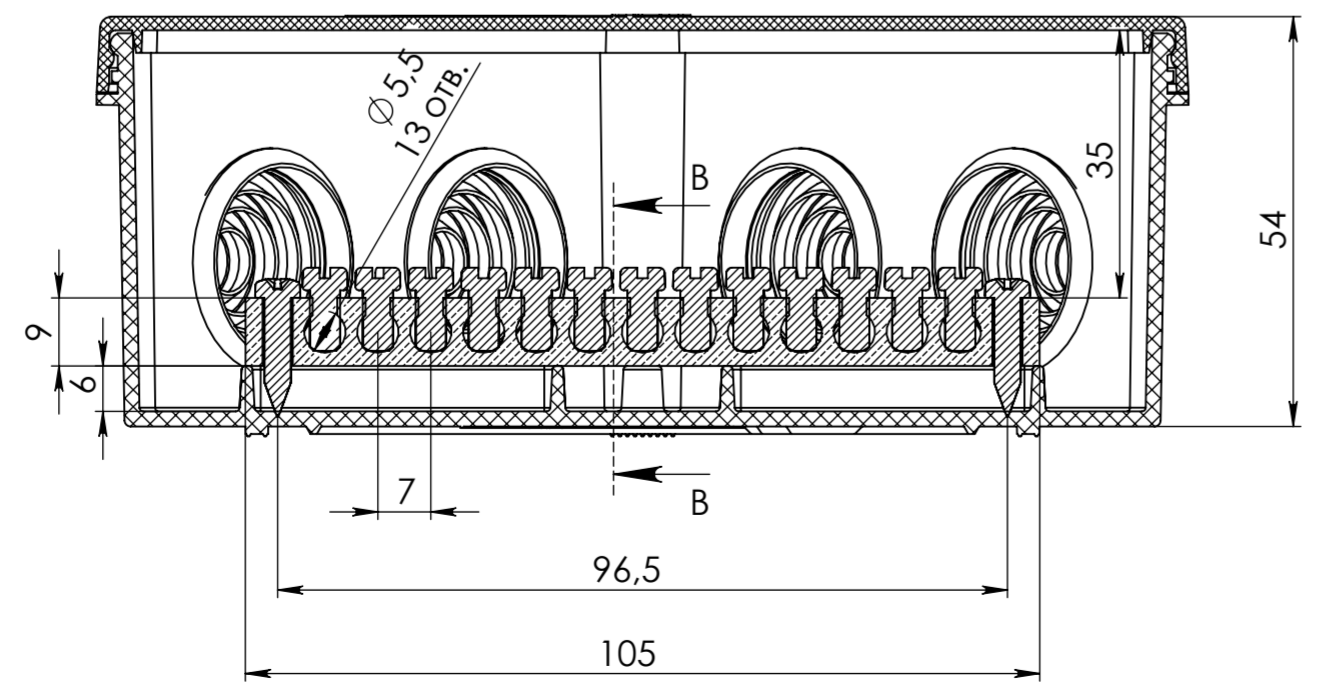
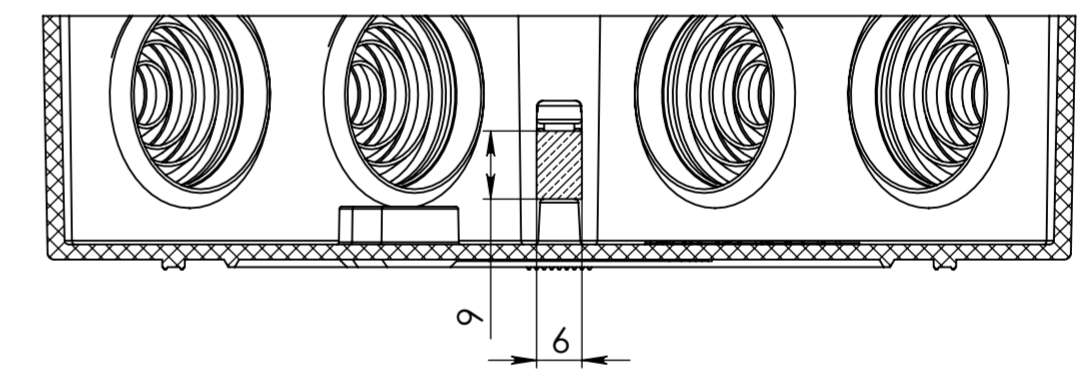


СЕЧЕНИЕ А-А



СЕЧЕНИЕ В-В



UNLESS OTHERWISE SPECIFIED: DIMENSIONS ARE IN MILLIMETERS SURFACE FINISH: TOLERANCES: LINEAR: ANGULAR:	FINISH:		DEBUR AND BREAK SHARP EDGES		DO NOT SCALE DRAWING		REVISION	
	NAME	SIGNATURE	DATE		TITLE:			
DRAWN:					DWG NO. КУП2604 СБ A2			
CHK'D:								
APP'VD:								
MFG:								
Q.A.				MATERIAL:	SCALE:1:1 SHEET 1 OF 1			
				WEIGHT:				