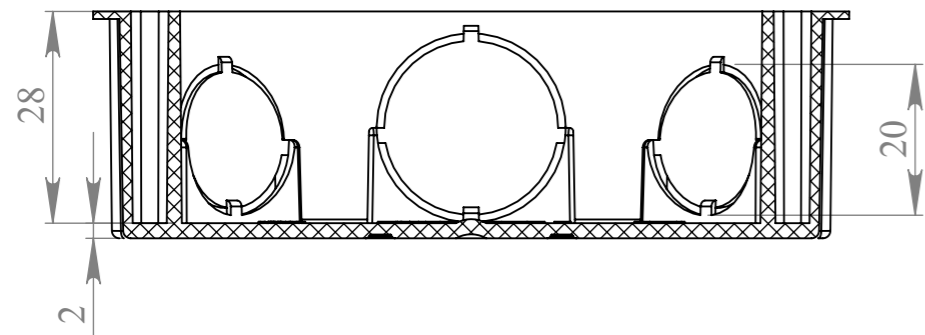


СЕЧЕНИЕ А-А



UNLESS OTHERWISE SPECIFIED: DIMENSIONS ARE IN MILLIMETERS SURFACE FINISH: TOLERANCES: LINEAR: ANGULAR:		FINISH:		DEBUR AND BREAK SHARP EDGES		DO NOT SCALE DRAWING		REVISION	
DRAWN		NAME		SIGNATURE		DATE		TITLE:	
CHK'D									
APPV'D									
MFG									
Q.A						MATERIAL:		DWG NO.	
								<b>Y192</b>	
						WEIGHT:		SCALE:1:1	
								SHEET 1 OF 1	
								A3	