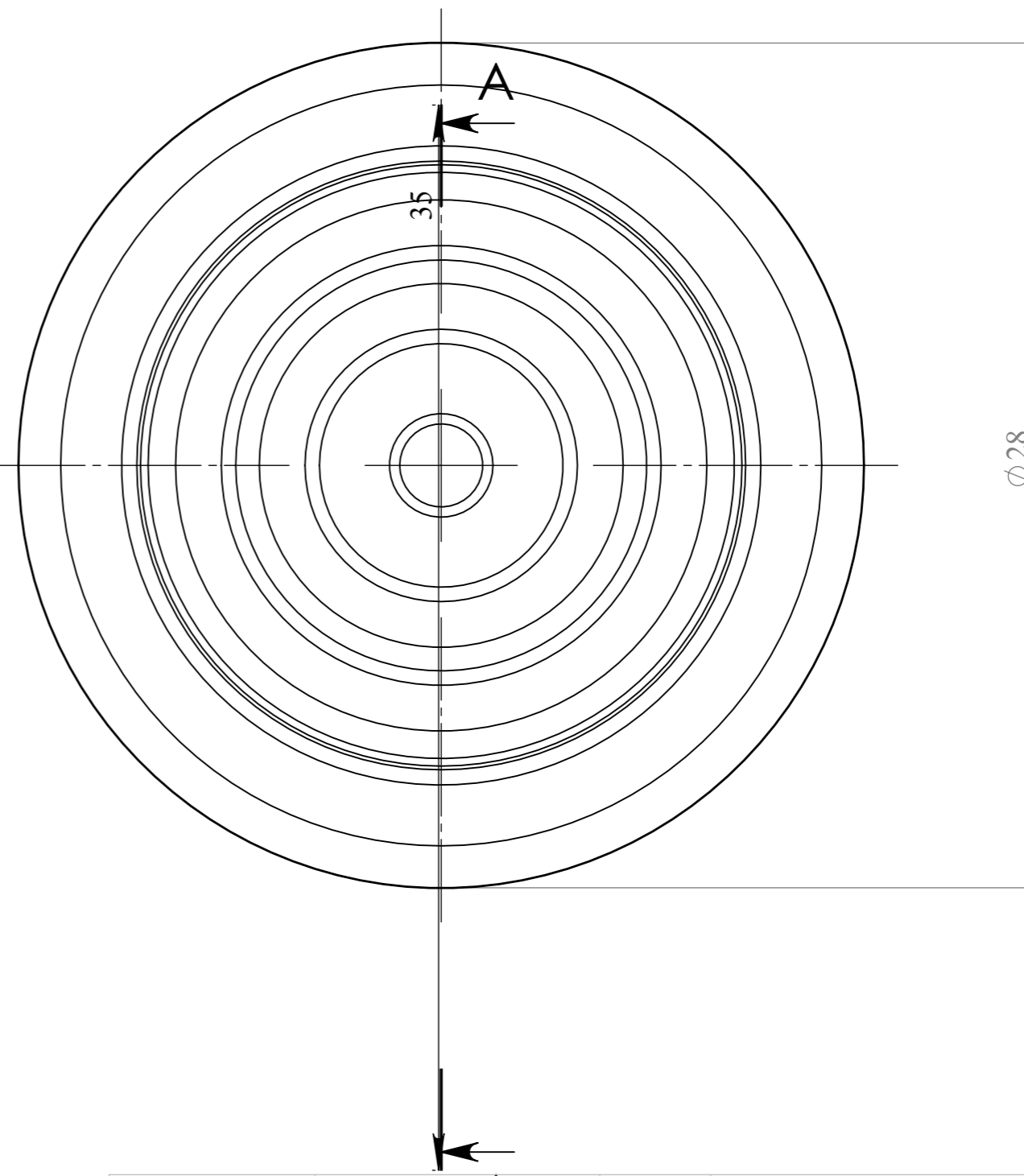
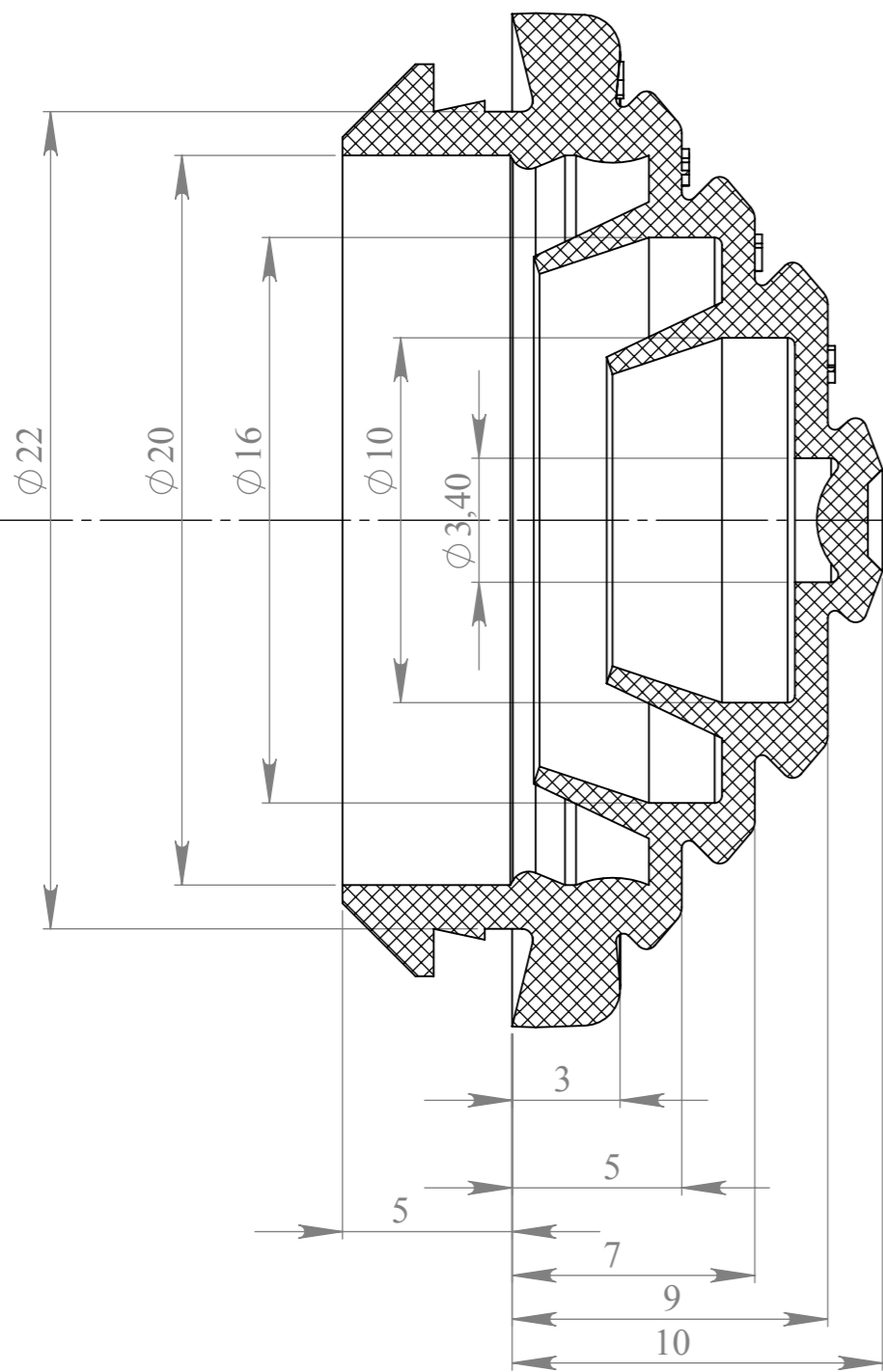


СЕЧЕНИЕ А-А
 МАСШТАБ 5 : 1



UNLESS OTHERWISE SPECIFIED: DIMENSIONS ARE IN MILLIMETERS		FINISH:		DEBUR AND BREAK SHARP EDGES		DO NOT SCALE DRAWING		REVISION	
SURFACE FINISH:									
TOLERANCES:									
LINEAR:									
ANGULAR:									
DRAWN		NAME	SIGNATURE	DATE	TITLE:				
CHK'D									
APPV'D									
MFG									
Q.A					MATERIAL:		DWG NO.		A3
					WEIGHT:		SCALE:2:1		SHEET 1 OF 1

БГ5601-20